



This machine is the last model of the **WMS** generation of machines that meets the conditions for use from food to construction industry with its versatility.

The machine can be equipped with a series of roller and chain conveyors depending on the line into which it will be incorporated. By complementing the wrapping machine with an input - loading - conveyor and an output - unloading - conveyor, we get an autonomous wrapping centre with minimal requirements for amount and qualification of operators.

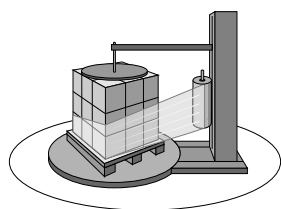
WMS Automatic is capable of working with up to twenty wrapping programs. Each of these programs may be optimised using many parameters and preset sequences according to specific demands on the wrapping.

WMS AUTOMATIC

is an automatic, powerful and intelligent winding wrapping machine that is designed for use in various types of transport lines.

It is designed for incorporation into transport lines in operations with medium to high capacity of wrapping.

It guarantees perfect fixation of goods on a pallet at minimum consumption of wrapping foil.



Control panel



Finishing device detail

WMS Automatic

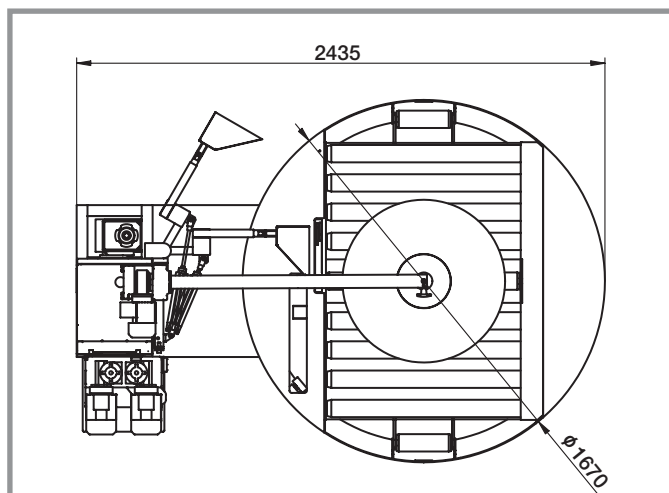
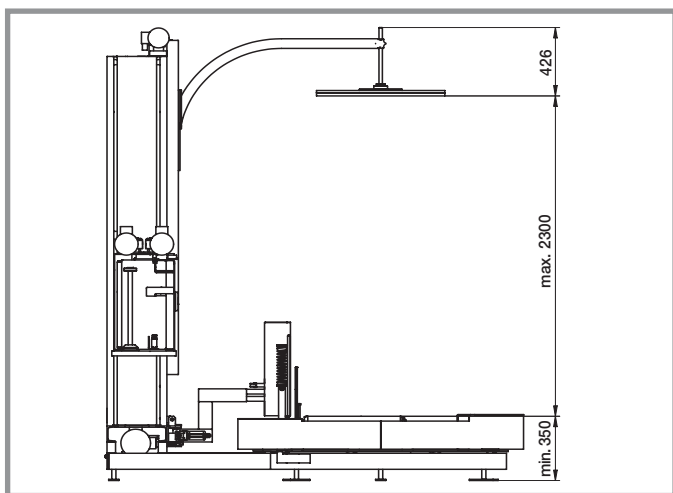
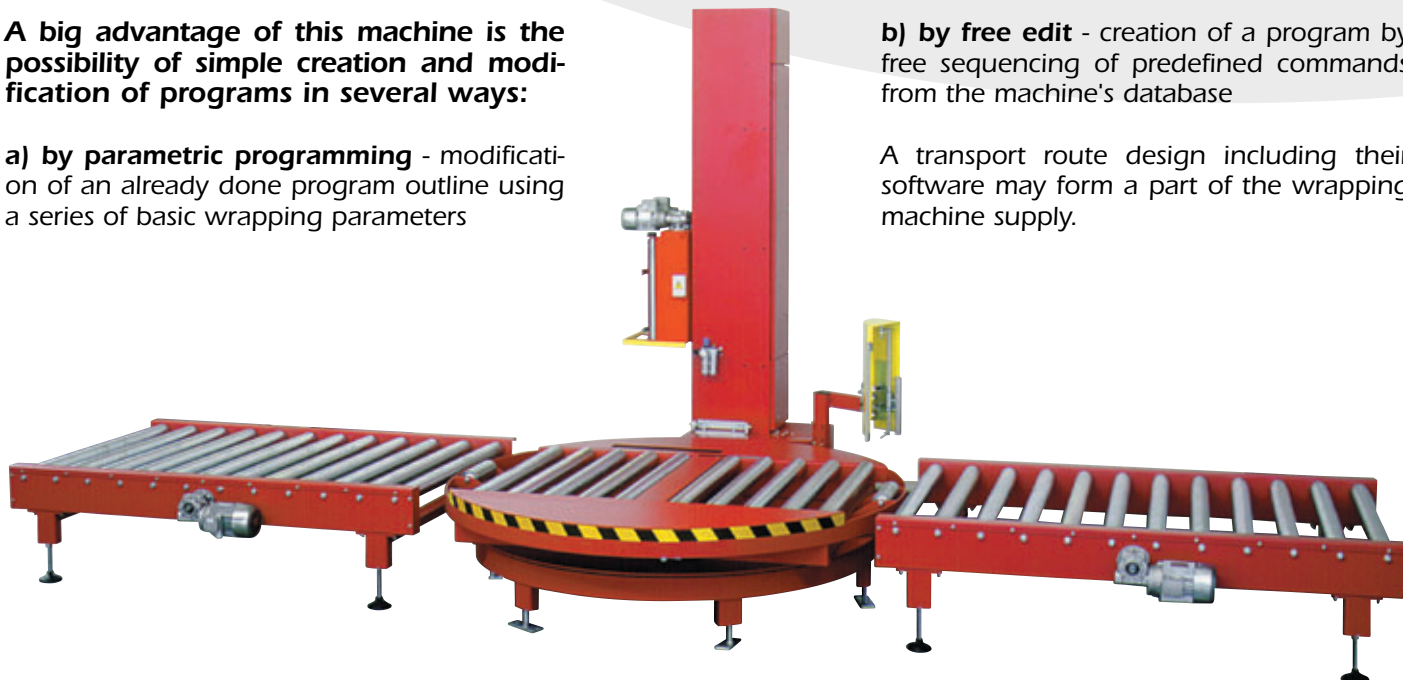
Wrapping machine

A big advantage of this machine is the possibility of simple creation and modification of programs in several ways:

a) by parametric programming - modification of an already done program outline using a series of basic wrapping parameters

b) by free edit - creation of a program by free sequencing of predefined commands from the machine's database

A transport route design including their software may form a part of the wrapping machine supply.



Additional devices	
Single-motor prestretching (70% - 400%)	•
Two-motor prestretching (50% - 500%)	x
Automatic foil ending	•
Electrical chain thrust	x
Optical sensing of the pallet height	•
Oriented turntable stop	•
Continuous regulation of turntable revolutions	•
Winding density regulation	•
Automatic device for covering foil application	x

• standard equipment

x special equipment

Technical data		
Plan dimensions of the machine *)	[mm]	min. 2435 x 1670
Machine height *)	[mm]	min. 2590
Machine weight	[kg]	min. 800
Conveyor height on the turntable *)	[mm]	min. 350
Turntable revolutions	[1/min]	10
Packed pallet dimensions	[mm]	1200 x 800 (1000)
Turntable load capacity	[kg]	1500
Maximum height of packed goods	[mm]	2300
Wrapping capacity **)	[pal./hod.]	32
Voltage	[V]	3 x 400V, 50 Hz
Electrical input (maximum)	[kVA]	3,5

*) Depends on the surrounding routes height and packed pallet dimensions.
 **) For pallet height 1200 mm, cross packing and without top cover.

The manufacturer reserves the right to change technical parameters.

